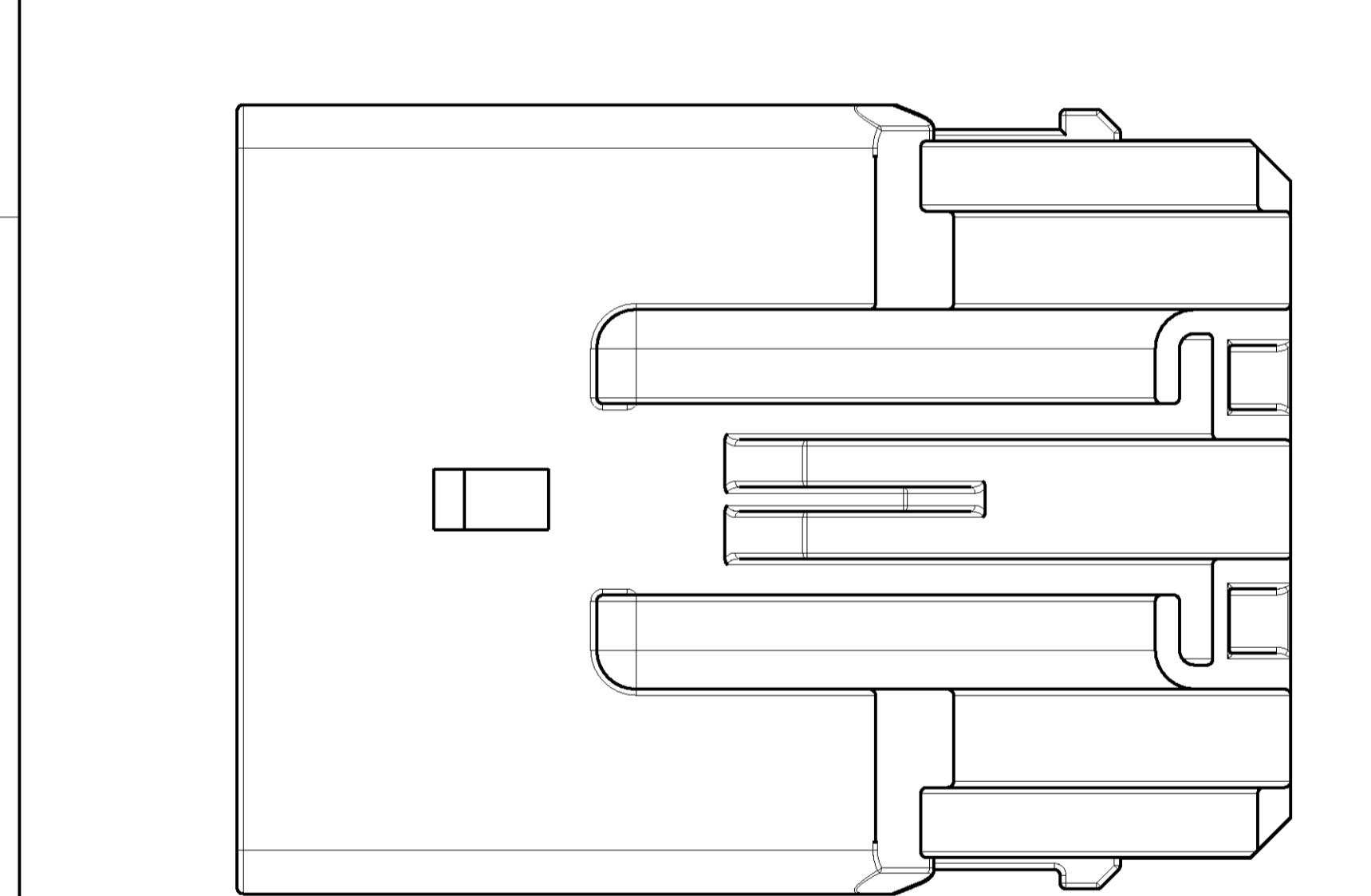
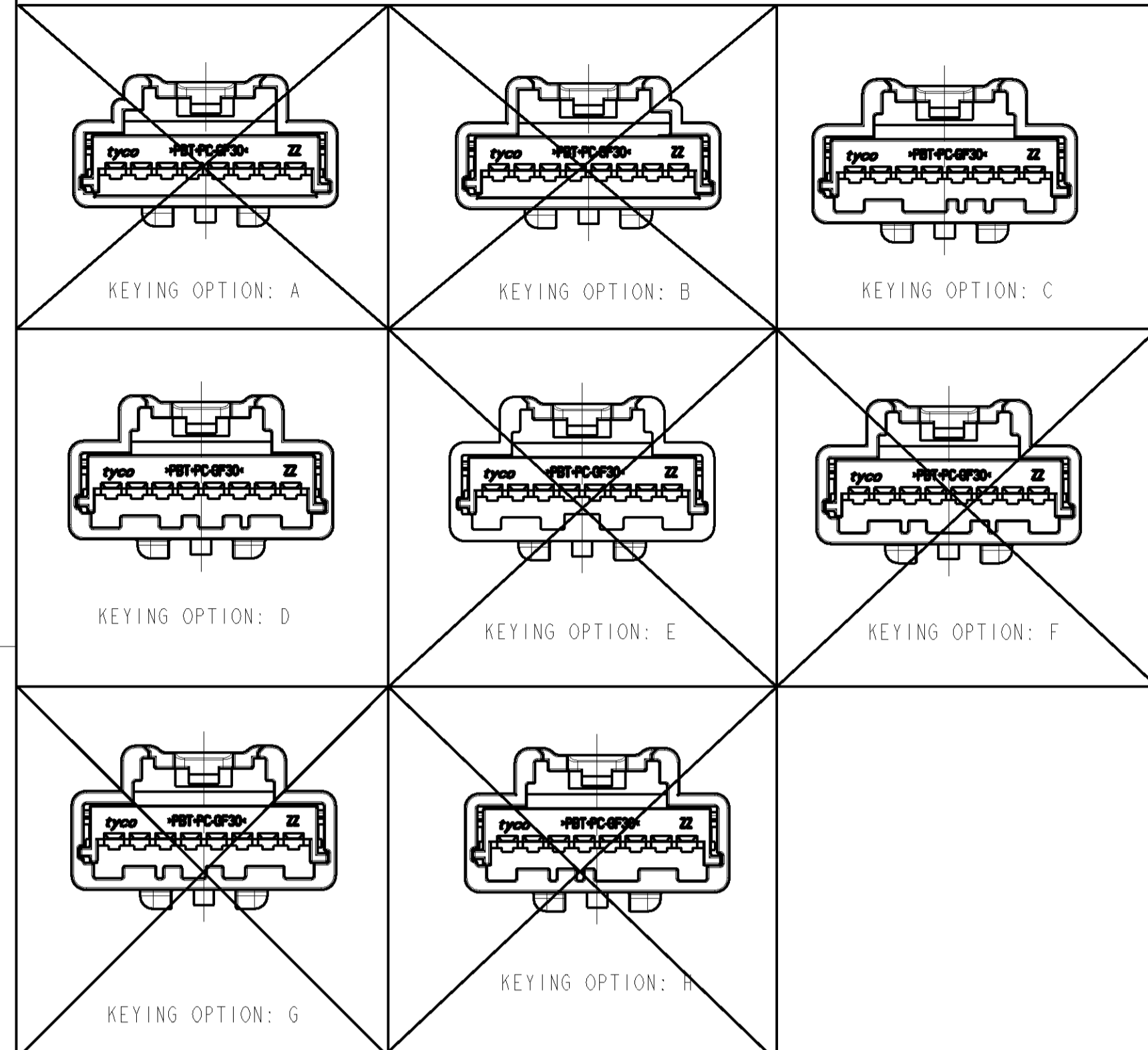
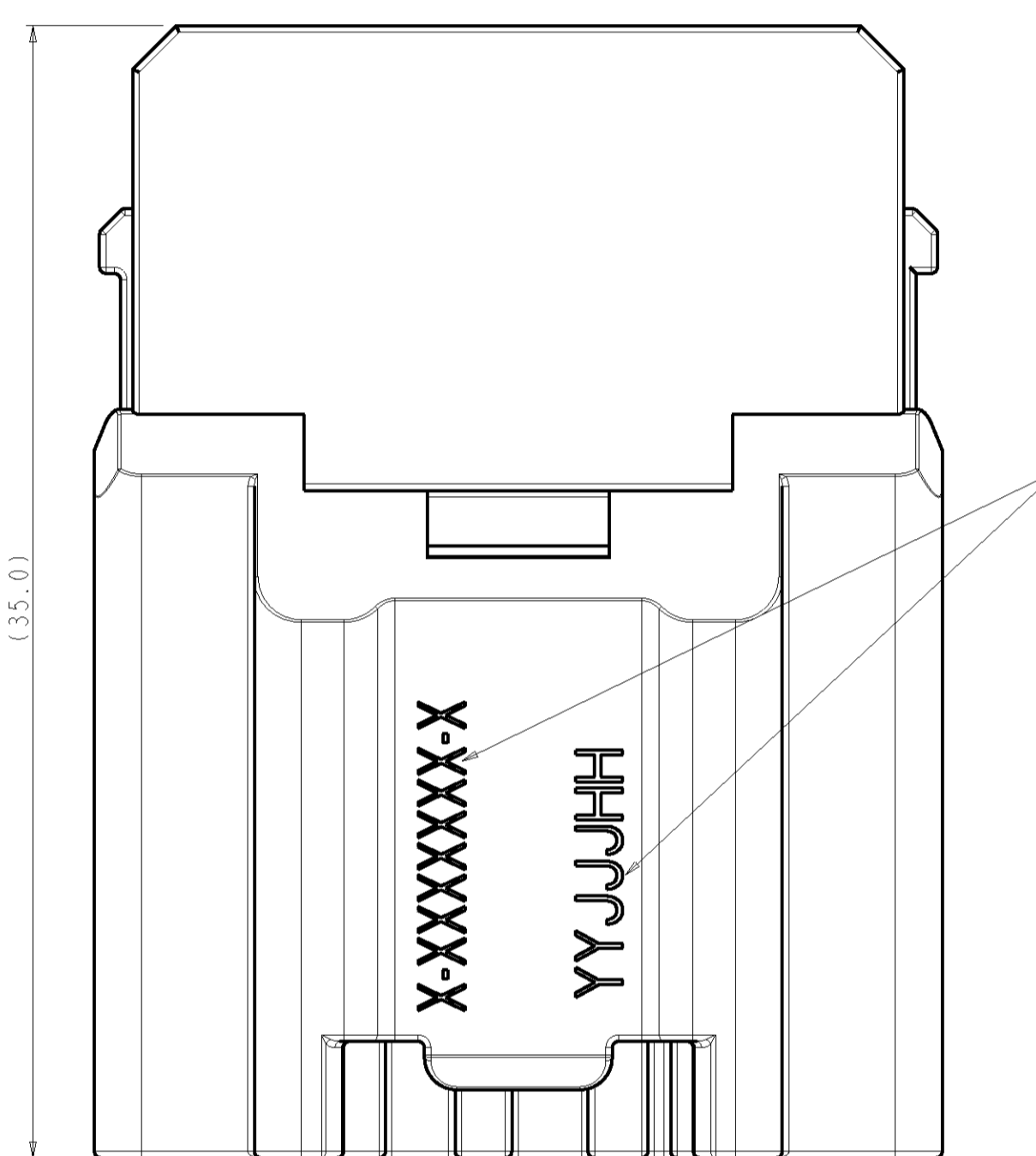
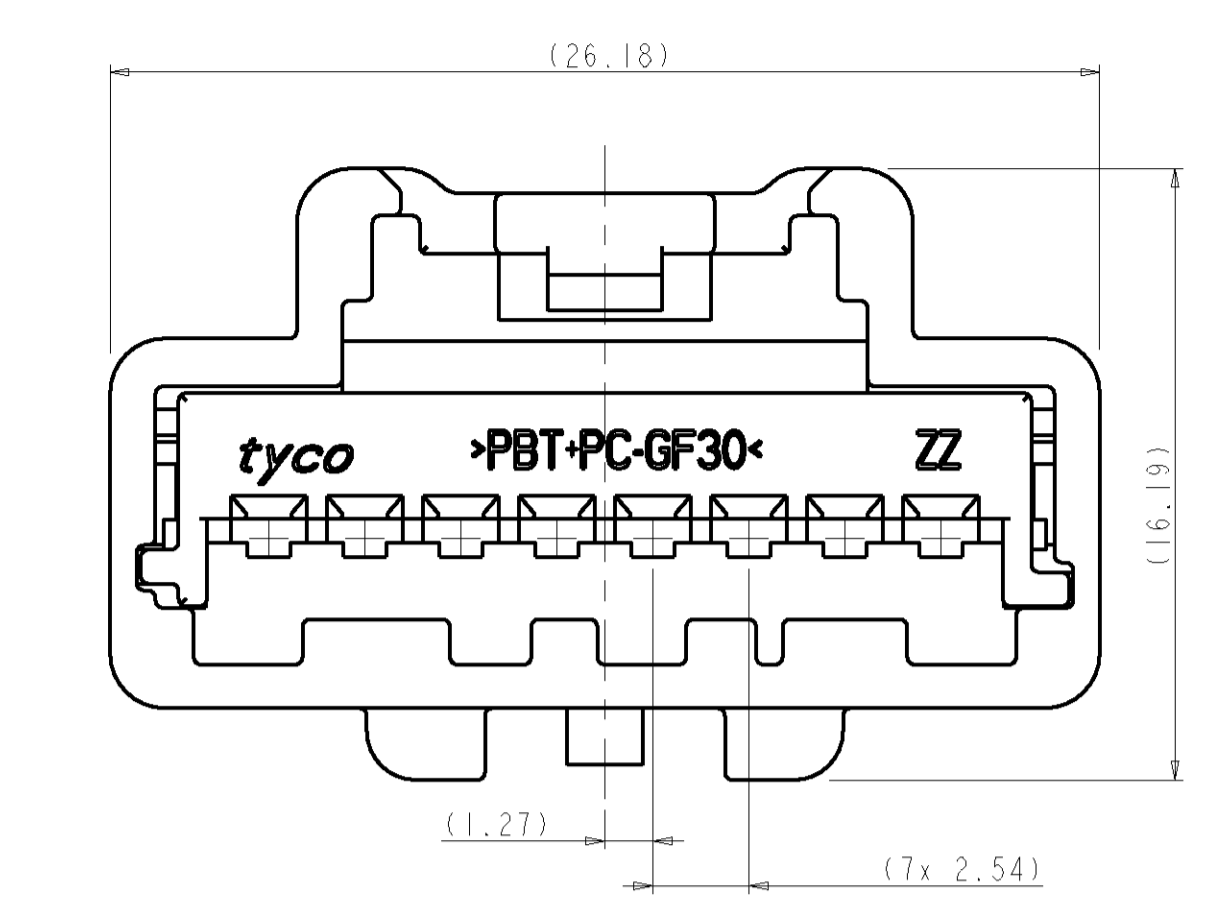
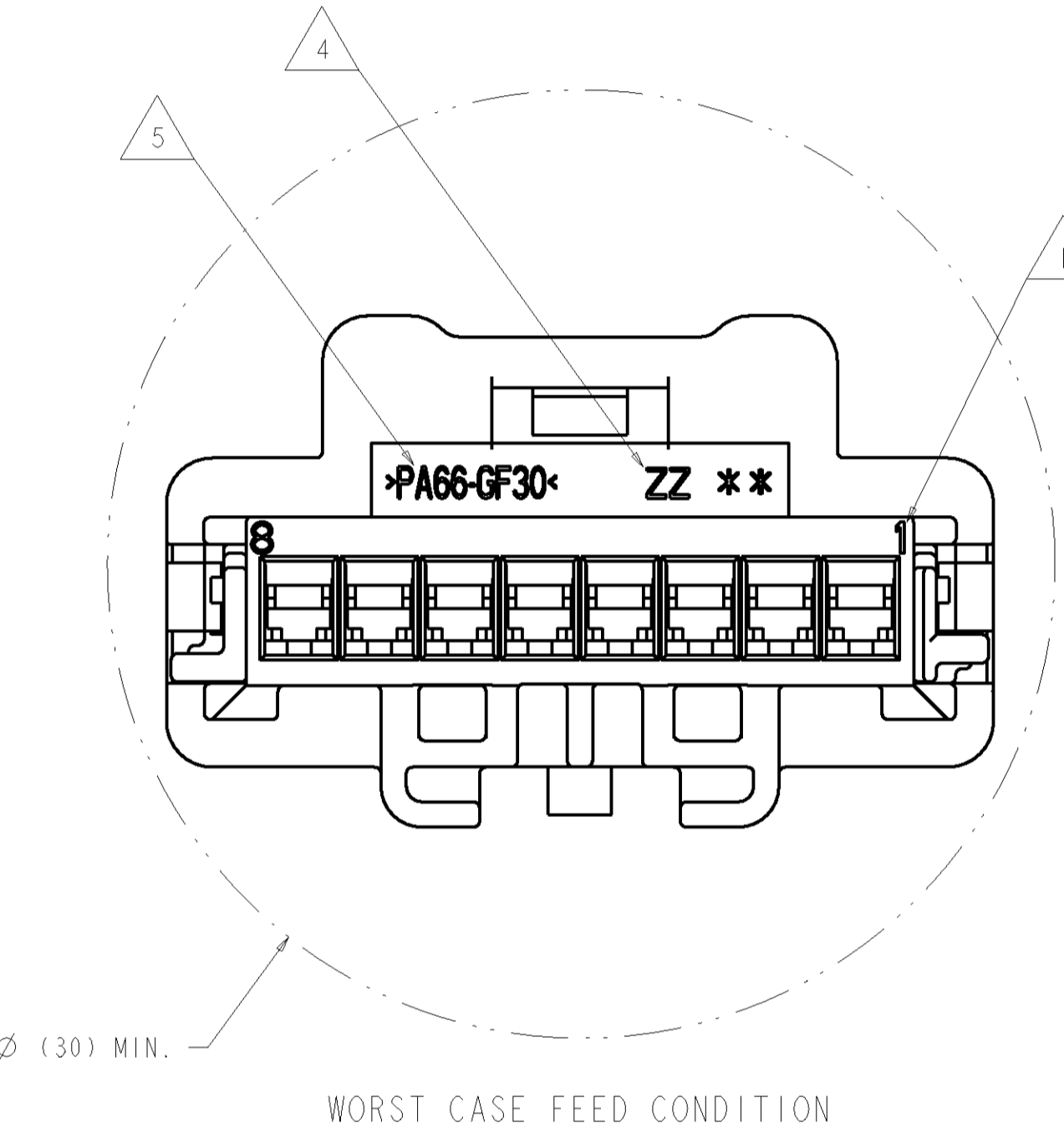
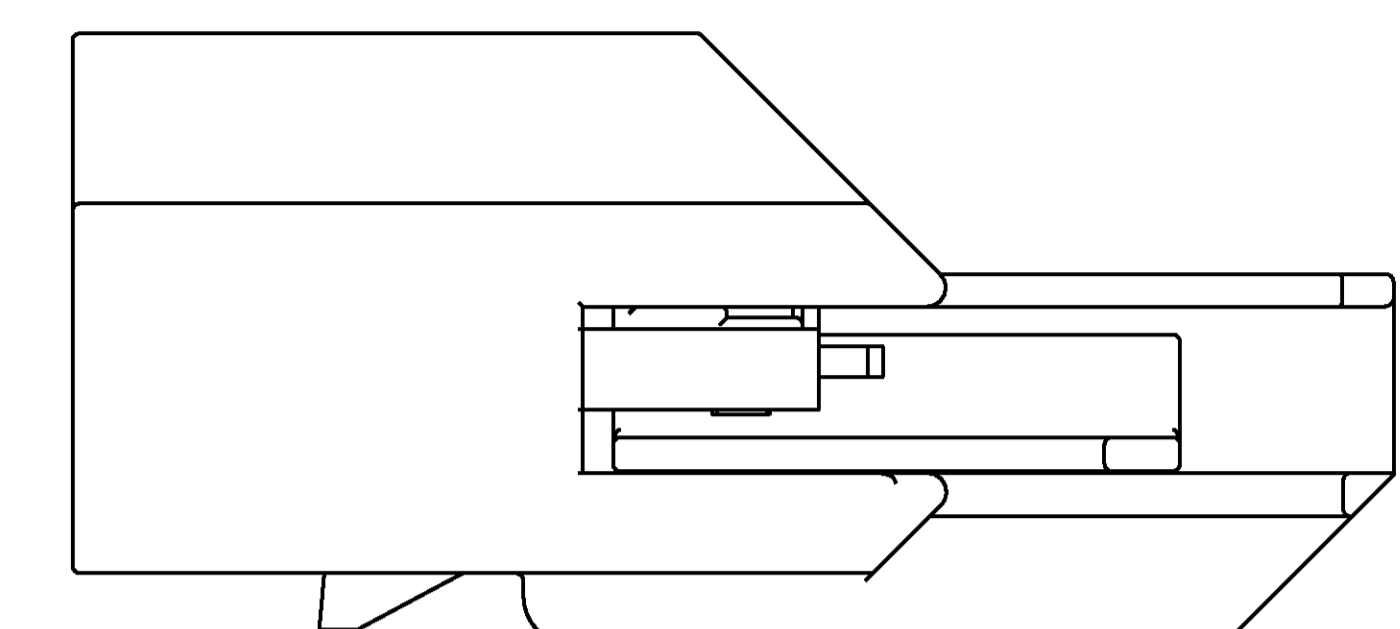


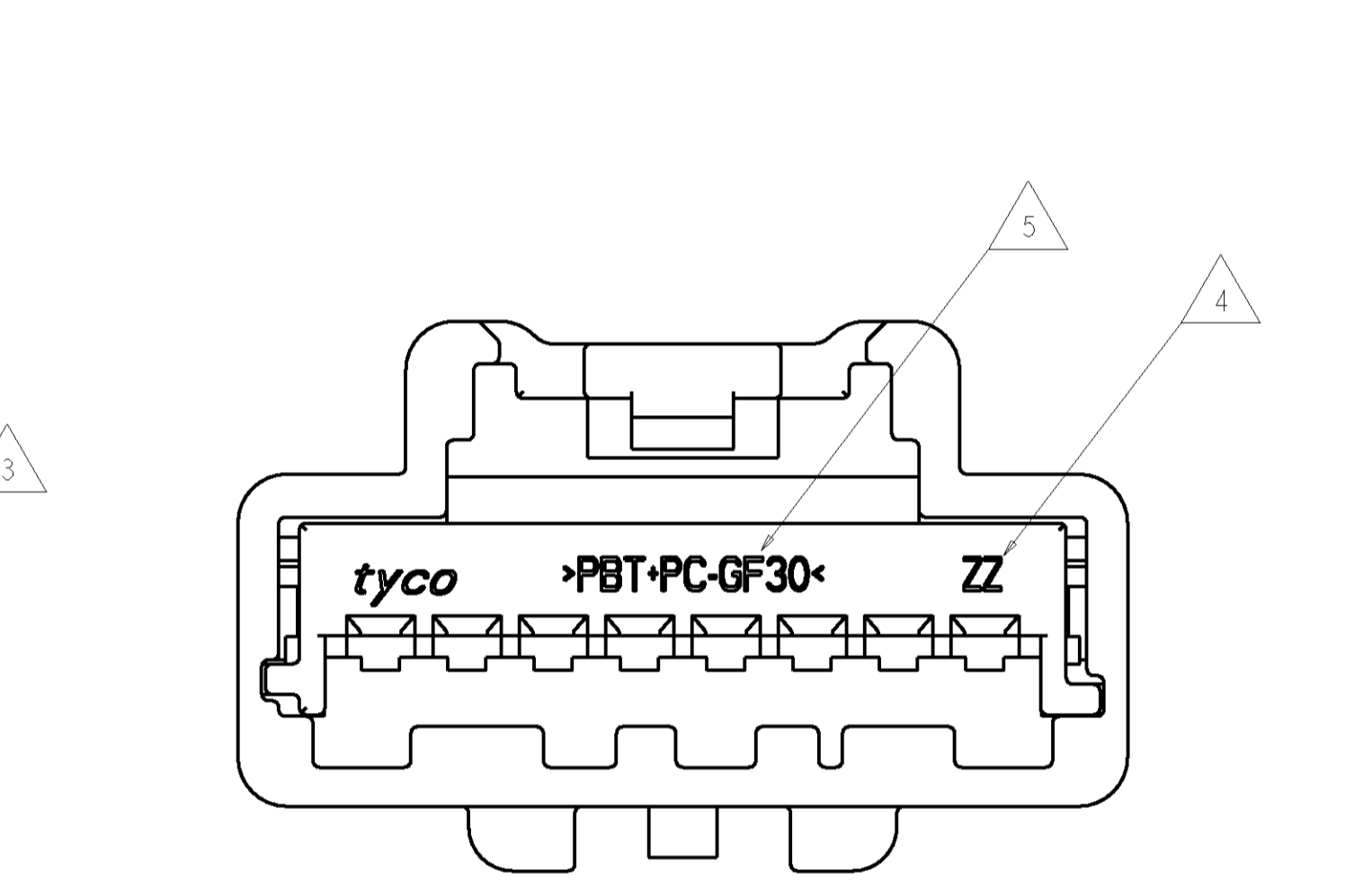
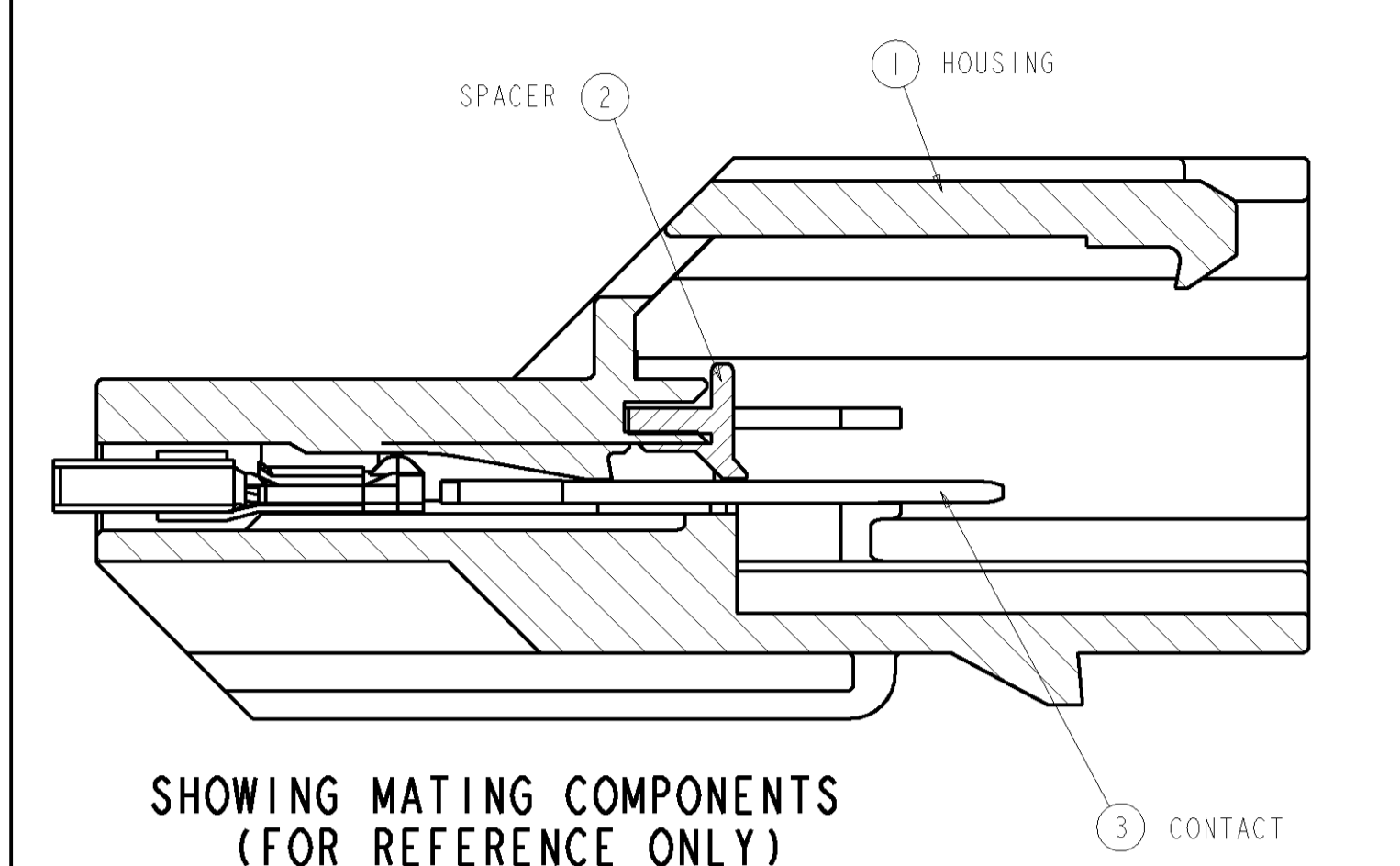
KEYING OPTIONS
(2:1)



- NOTE(S):
- △ TERMINAL ID
 - 2. DELIVERY CONDITION SPACER IN PRE-ASSEMBLED POSITION
 - △ PART NUMBER AND TRACEABILITY CODE
 - △ CAVITY ID
 - △ MATERIAL IDENTIFICATION
 - 6. PACKING: CONNECTOR ASSEMBLIES BULK PACKED IN CARDBOARD BOX



LOC	QTY	REV	DESCRIPTION	DATE	OWN	APPV
FX	00					
C			REVISED PER ECR 07-001025	23JAN2007	DLD	DCS



KEYING OPTIONS								ITEM	DESCRIPTION	MATERIAL	COLOR
A	B	C	D	E	F	G	H				
9-1419166-6	9-1419166-7	9-1419166-0	9-1419166-1	9-1419166-2	9-1419166-3	9-1419166-4	9-1419166-5	2	SPACER	>PBT+PC-GF30<	RED
-	-	-	-	-	-	-	-	1	MALE HOUSING COD.H	>PA66-GF30<	BLACK
-	-	-	-	-	-	-	-	1	MALE HOUSING COD.G	>PA66-GF30<	BLACK
-	-	-	-	-	-	-	-	1	MALE HOUSING COD.F	>PA66-GF30<	BLACK
-	-	-	-	-	-	-	-	1	MALE HOUSING COD.E	>PA66-GF30<	BLACK
-	-	-	-	-	-	-	-	1	MALE HOUSING COD.D	>PA66-GF30<	BLACK
-	-	-	-	-	-	-	-	1	MALE HOUSING COD.C	>PA66-GF30<	BLACK
-	-	-	-	-	-	-	-	1	MALE HOUSING COD.B	>PA66-GF30<	BLACK
-	-	-	-	-	-	-	-	1	MALE HOUSING COD.A	>PA66-GF30<	BLACK

CODING D IS SHOWN

DIMENSIONS: mm		TOLERANCES UNLESS OTHERWISE SPECIFIED:		DWN: R. STUBBE 16MAR2002		Tyco Electronics Harrisburg, PA 17105-3608	
MATERIAL: -		FINISH: -		CHK: G. STEINBACH 16MAR2002		NAME: IX8 POSITION, GET, MALE CONNECTOR, UNSEALED, ASSEMBLY	
PRODUCT SPEC: -		APPLICATION SPEC: -		APVD: -		SIZE: A	
WEIGHT: -		CUSTOMER DRAWING: -		SCALE: 5:1		SHEET 1 OF 1	